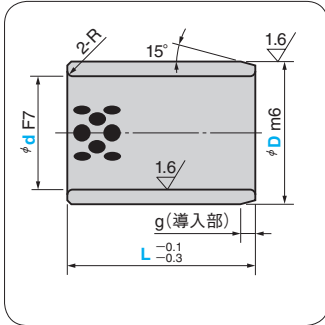


汎用ガイドブッシュ

BUSH

CAD FILE



Order

Catalog No. **SOB** **d** 120 - **D** 140 - **L** 100

d F7	D m6	R	g	適用ワッシャ	Catalog No.	d	D	L
	115	3	3				115	100
		2	2					40
								50
								60
								70
100	120	+0.035 +0.013		SOBW100		100	120	80
								90
								100
								120
								140
								50
								70
110	130			—		110	130	80
								100
								120
								70
			3					80
120	140			SOBW120		120	140	90
								100
								120
								140
								100
125	145	+0.040 +0.015	3		SOB	125	145	120
								80
130	150					130	150	100
								130
140	160					140	160	100
								140
								80
150	170	+0.083 +0.043				150	170	100
			4					150
								80
160	180					160	180	100
								150
170	190					170	190	100
								150
180	200		3			180	200	100
								150
190	210	+0.046 +0.017				190	210	100
								150
200	230	+0.096 +0.050				200	230	150
								200

ワッシャ

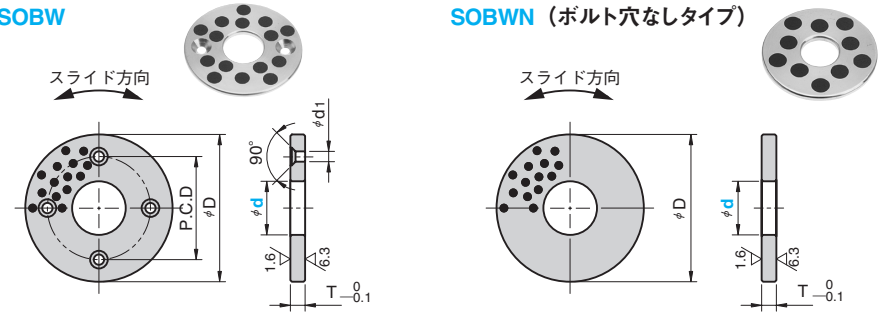
WASHER

追加

CAD FILE

SOBW

SOBWN (ボルト穴なしタイプ)



材質 銅合金 (SO-2)
オイルレス加工



Order

Catalog No. **SOBW** **d** (呼び) 10

d (実寸)	D	T	ボルト取付穴			Catalog No.	d (呼び)
			P.C.D	個数	使用皿ネジ		
10.2	30		20				10
12.2							12
13.2	40		28				13
14.2		3			M3	3.5	14
15.2							15
16.2							16
18.2	50		35				18
20.2				2			20
25.2	55		40				25
30.2	60	5	45		M5	6	30
35.2	70		50				35
40.2	80		60				40
45.3	90	7	67.5				45
			70		M6	7	45A
50.3	100		75				50
55.3	110		85				55
60.3	120	8	90				60
65.3	125		95				65
70.3	130		100		M8	9	70
75.3	140		110				75
80.3	150		120				80
90.5	170	10	140				90
100.5	190		160		M10	11	100
120.5	200		175				120

■ボルト穴なしタイプ

d (実寸)	D	T	Catalog No.	d (呼び)
10.2	30			10
12.2	40	3		12
16.2	50		SOBWN	16
20.2				20
25.2	55	5		25
30.2	60			30



Order

Catalog No. **SOBWN** **d** (呼び) 10